



d:sign™

4097 CORE Supercardioid Choir Mic

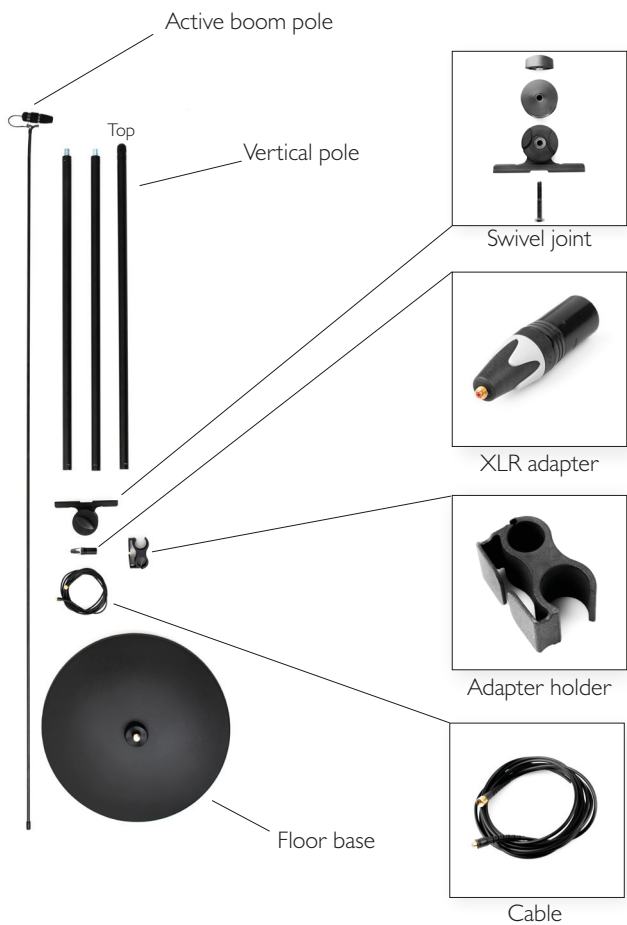
Installation guide





dpamicrophones.com/4097


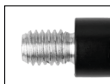
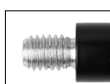
core
by DPA

What's inside the box?

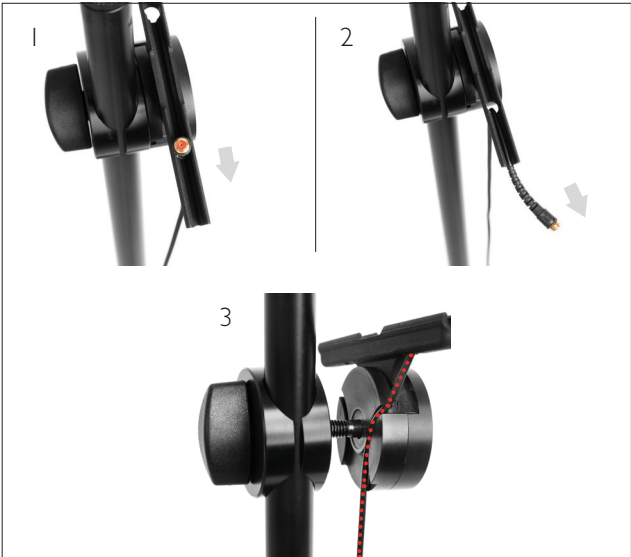


Quick assembly guide

 <p>1</p>	 <p>2</p>
<p>1. Connect the vertical pole to the floor base Take one of the two identical sections of the vertical pole and screw it onto the floor base.</p> <p>2. Add the adapter holder Pull adapter holder down to the middle of the pole and attach the XLR adapter or wireless transmitter. (See 7.)</p>	

 <p>Top</p>		 <p>Bottom</p>
<p>3. Assemble the vertical pole Add the two additional sections to complete the vertical pole. Leave out the middle section for a shorter pole.</p>		

	
<p>4. Add the swivel joint Assemble the swivel joint, but do not tighten it just yet. Pull it down the vertical pole to a suitable height.</p>	



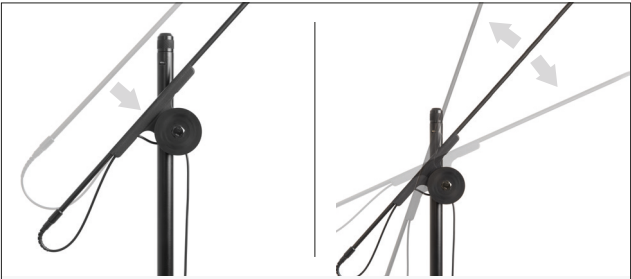
5. Add the cable

1. Pull the female side of the cable up through the hole in the swivel joint.
2. Affix it inside the boom holder.
3. Then loosen the swivel joint and lead the cable down through the cable run.



6. Connect the cable

Connect the cable to the active boom pole and adjust as needed. Excess cable can be stored near the adapter holder near the base.



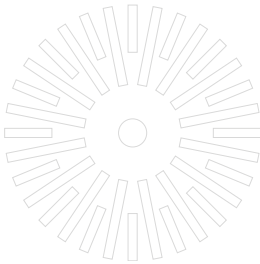
6. Attach the Active Boom Pole

Clip the boom pole firmly into the holder. You should hear it click. You can now adjust the position of the boom as needed.



7. Wired and wireless

Near the base, the adapter holder stores either a standard MicroDot to XLR adapter or a wireless transmitter. Any transmitter type in our adapter program can be used.



Specifications

Directional characteristics

Supercardioid

Frequency range

20 Hz - 20 kHz

Frequency range, ± 2 dB, 20 cm (7.9 in)

80 Hz - 15 kHz with 2 dB soft boost at 10 - 12 kHz
Second order low-cut filter at 80 Hz with DAD4099

Sensitivity, nominal ± 3 dB at 1 kHz

16 mV/Pa; -36 dB re. 1 V/Pa

Equivalent noise level, A-weighted

Typ. 23 dB(A) re. 20 μ Pa (max. 26 dB(A))

S/N ratio (A-weighted), re. 1 kHz at 1 Pa (94 dB SPL)

71 dB

Total harmonic distortion (THD)

< 1% up to 133 dB SPL peak

Dynamic range

Typ. 110 dB

Max. SPL, peak before clipping

135 dB

Connector

MicroDot (XLR via supplied DAD4099 adapter)

Color

Black

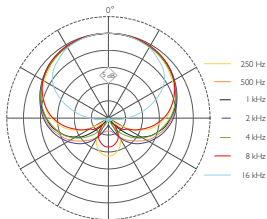
Dimensions

Total weight: 5.5 kg (180 oz)

Floor base weight: 4.1 kg (155 oz)

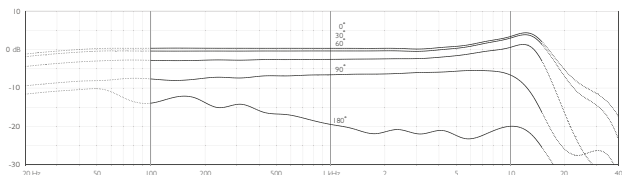
Maximum total height: 253.3 cm (99.7 in)

Polar pattern

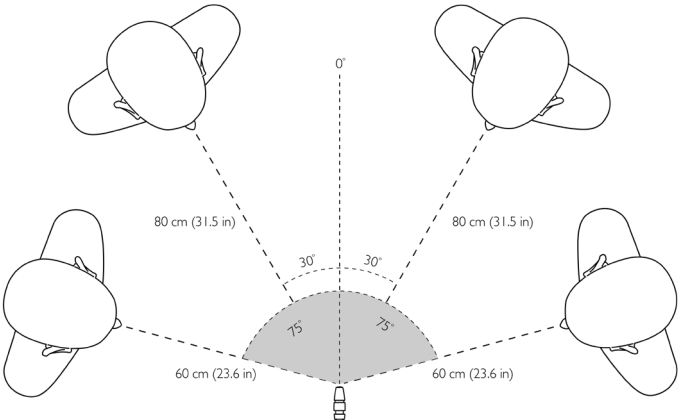
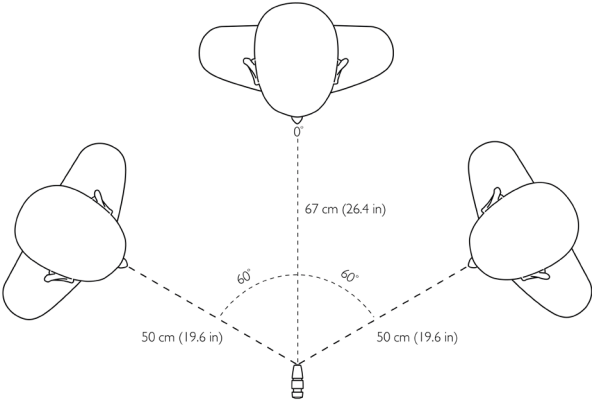
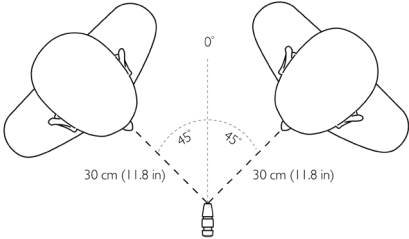


Frequency response

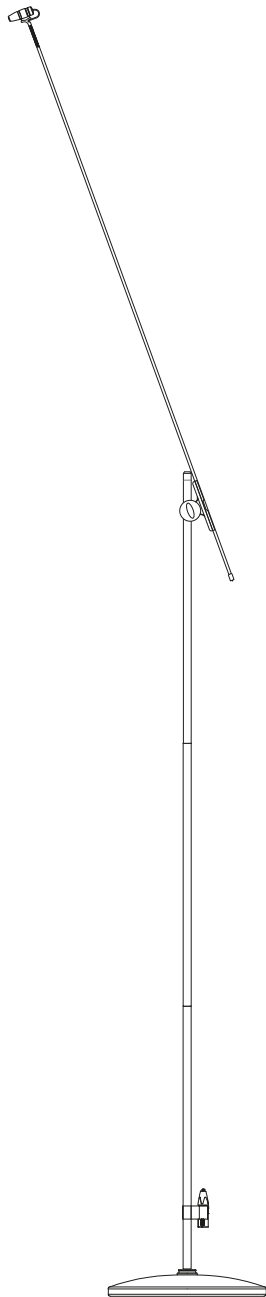
Measured at 20 cm (7.9 in)



Application guide



Learn more about miking a choir at:
dpamicrophones.com/mic-university/how-to-mic-a-choir



Service & repair

If you are not satisfied with the characteristics exhibited by this product, please go to dpamicrophones.com/service for instructions.

Warranty

design™ 4097 CORE Supercardioid Choir Mic is covered by a two-year limited warranty.

CE marking

This product conforms to all relevant directives approved by the European Commission.



dpamicrophones.com/4097

core
by DPA

DPA 4097-M-01